

E522-50 Accelerometer

Description

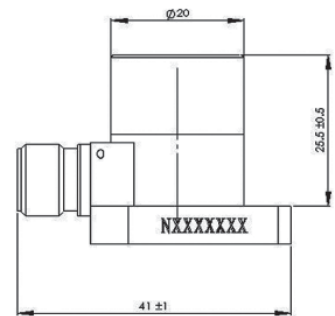
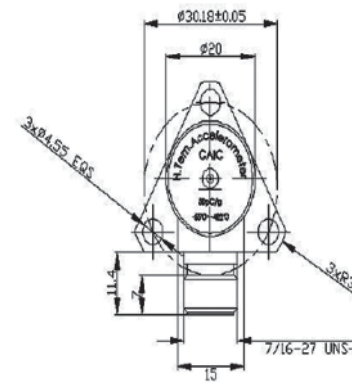
- Use for vibration test on high temperature parts of aviation engine
- Adopt high temperature resistant design, balance differential structure
- Possess long mean time between failure (MTBF), balance differential output
- Use for vibration measurement on turbine engine

Characteristics

- Passive, charge output
- Continuous working temperature up to +260°C
- Balance differential output
- Ground-isolated
- Strong anti-interference ability, long MTBF



Dynamic Characteristics	
Sensitivity(±5%)	50pC/g
Resonant frequency	28kHz
Frequency response: ±5%	1 ~ 6,000Hz
Transverse Sensitivity	≤ 3%
Non-linearity	1%
Electrical Characteristics	
Resistance (Either signal pin to case)	≥ 10GΩ
+260°C	≥ 10MΩ
Insulation Resistance	≥ 10GΩ
+260°C	≥ 50MΩ
Capacitance	2800pF
Either signal pin to case	≤ 30pF
Unbalance between pin	≤ 2pF
Grounding	Signal return isolated from case
Environmental characteristics	
Working temperature	-54°C ~ +260°C
Vibration limit	1000 g pK
Shock limit	2000 g pK
Base strain Sensitivity	0.4g pk/μ strain
Thermal transient Sensitivity	0.018 g pK/°C
Humidity	Epoxy sealed
Physical characteristics	
Weight	91grams
Case material	Inconel



- Through the assessment of environmental test: Vibration, Shock, Acceleration, Electromagnetic compatibility, Temperature, Altitude, Temperature impact, Mould, Salt mist, Humidity and hot etc.